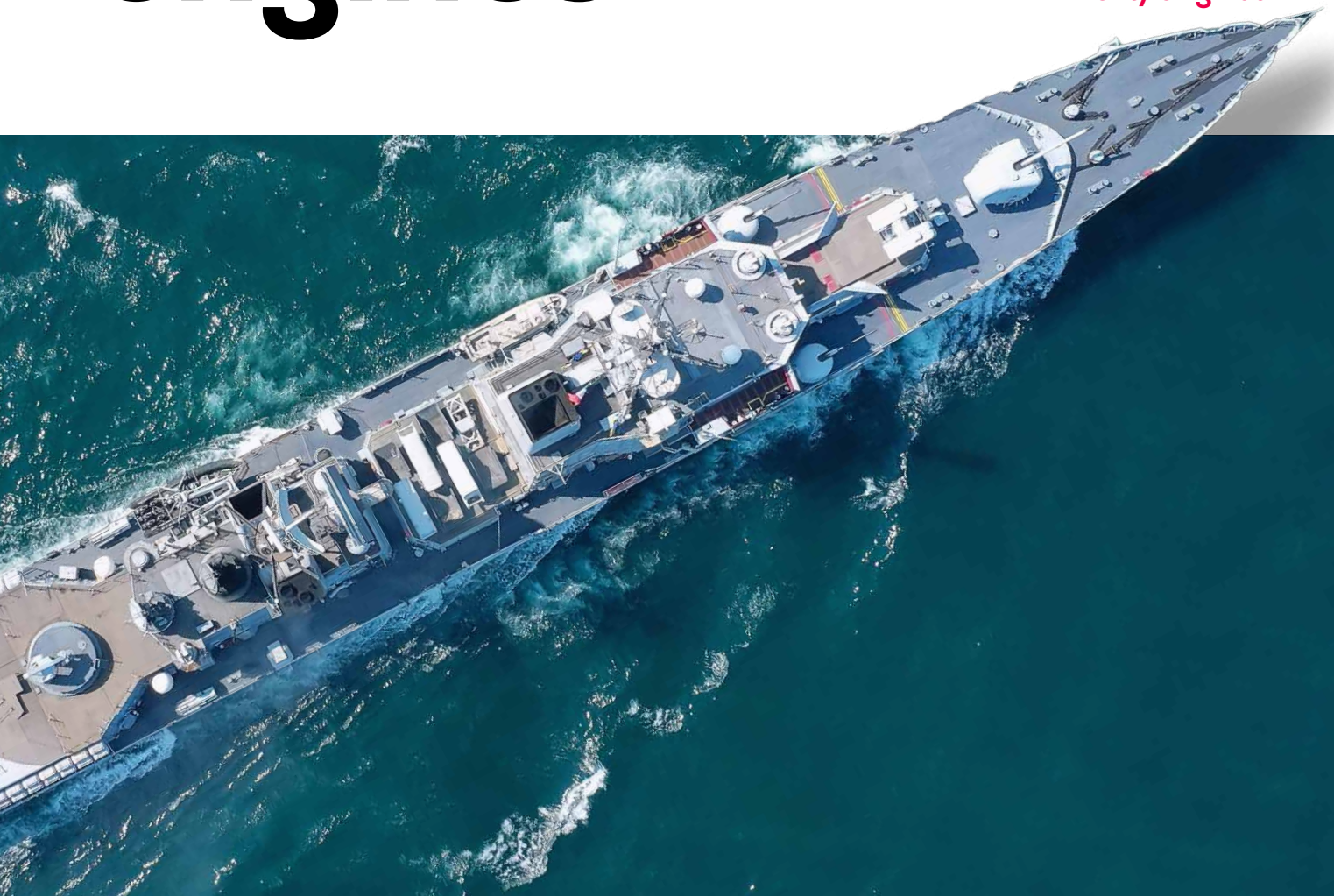




# Original service for **Pielstick** engines

Forever the  
only original



**Everlence**

**PrimeServ**

# Exclusive 360° Pielstick service



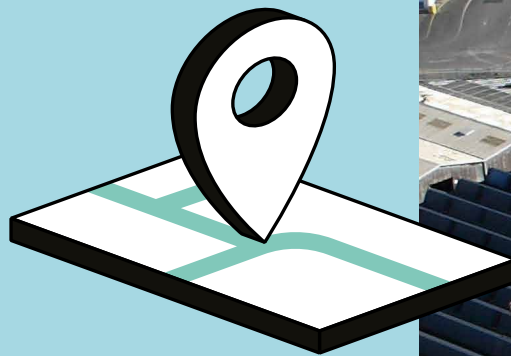
## **Pielstick: a pioneer of innovation and excellence**

Pielstick engines have powered navies, fleets, and power plants worldwide with proven reliability. Built on innovation and robust design, they continue to set standards under Everllence – delivering extended engine life, efficiency, and value.

## **Trust built over decades, support that lasts a lifetime**

### **Sustained support across your engine's entire lifecycle**

Our mission is to keep your Pielstick engines operating at peak performance across their full service life. From genuine spare parts and tailored service agreements to upgrades and advanced condition monitoring, we deliver the complete package. With deep OEM expertise and a global support network, we help you maximize uptime, efficiency, and operational security – now and into the future.



### **Global expertise centered in Saint-Nazaire**

Located at the heart of the historic Saint-Nazaire shipbuilding region, our dedicated PrimeServ product center is the global hub for Pielstick engines. From this strategic location, we provide expert support, retrofits, spare parts, and comprehensive service solutions worldwide – backed by decades of experience and a strong commitment to innovation.



**Pielstick powers navies, merchant fleets, power plants, and nuclear applications worldwide – with trusted expertise, future-ready solutions, and unmatched reliability.**





#### **OEM service excellence**

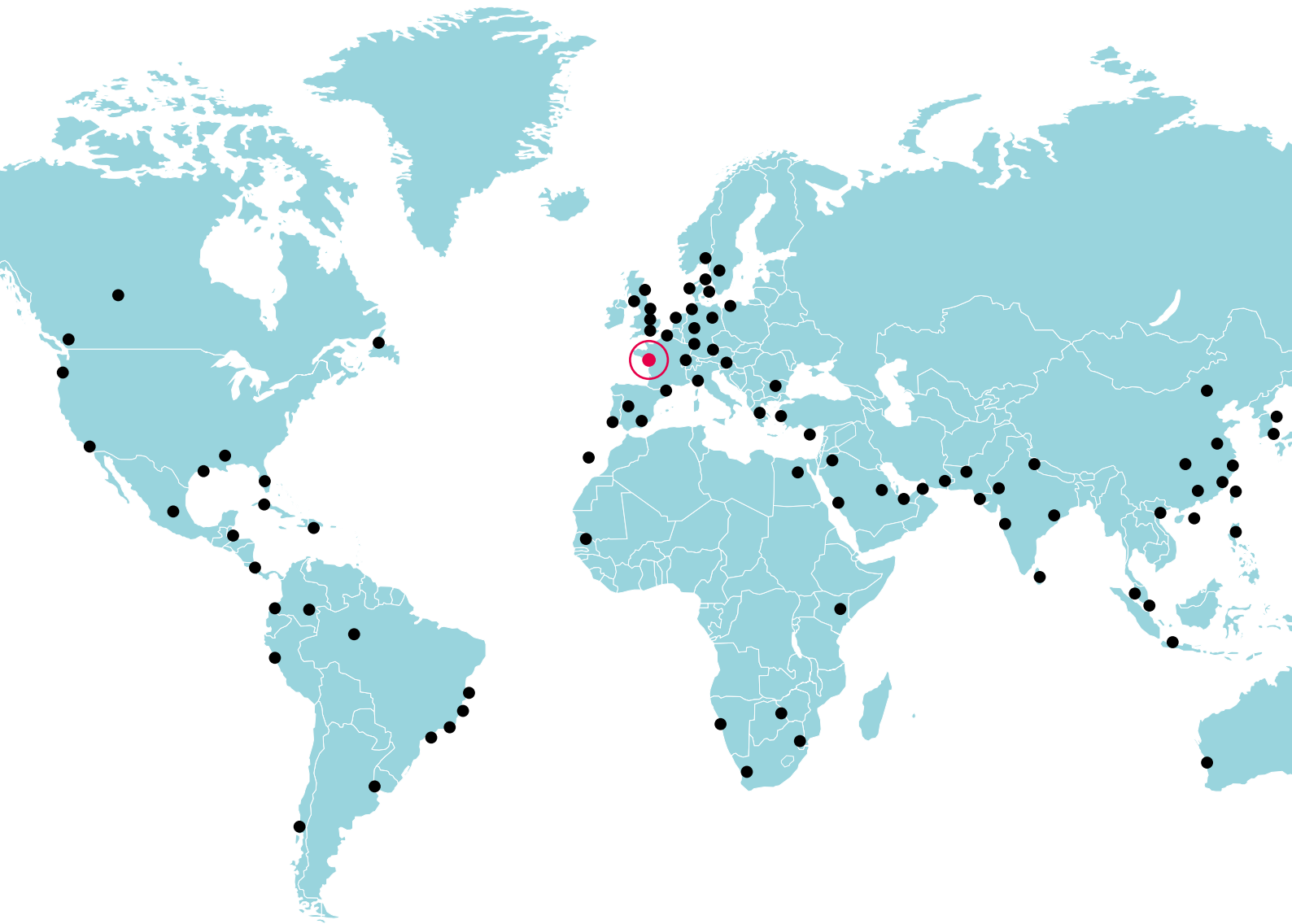
Choosing Everllence PrimeServ means choosing proven expertise, original solutions, and a commitment to keeping your Pielstick engines at peak performance – now and into the future.

#### **Innovation and lifecycle upgrades**

We continuously upgrade Pielstick solutions with retrofit innovations that extend engine life, improve efficiency, and prepare your assets for evolving operational and regulatory standards.

#### **Certified quality and deliveries**

Pielstick engines are built and maintained to meet the highest international standards, including ISO 9001, ISO 14001, OHSAS 18001, and ISO 19443 certifications. We deliver proven performance for demanding naval, merchant marine, and nuclear applications worldwide.



# Global support you can rely on

Wherever you operate, we stand by your side. Our global service network ensures fast support, genuine parts supply, and expert knowledge – ensuring your Pielstick engines stay reliable and future-ready.

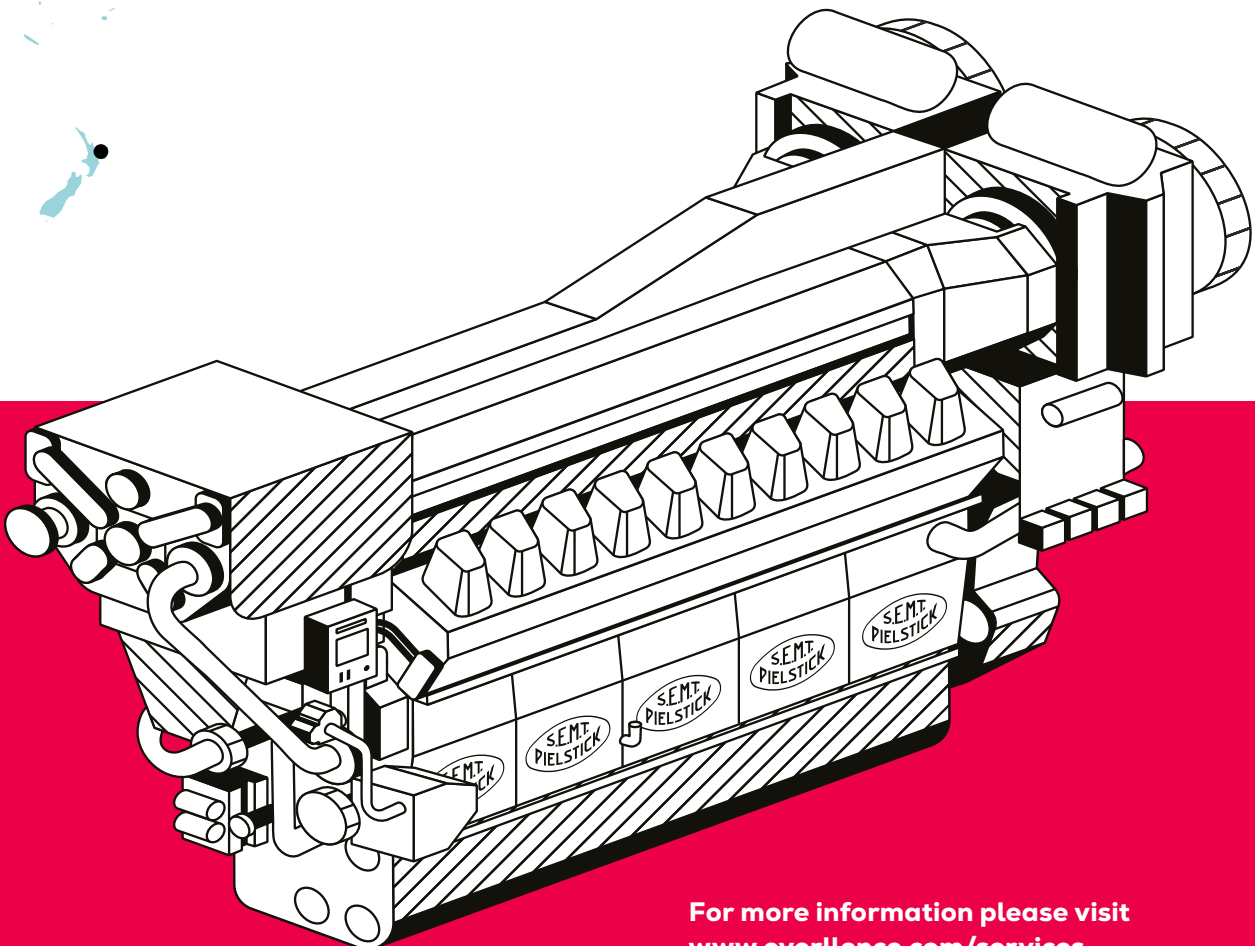
# Driven by reliability

## Smart solutions for long-term engine care

We offer a full range of solutions tailored to the needs of Pielstick engines across marine and power applications. From original spare parts and technical services to retrofit upgrades and condition monitoring systems, every solution is built to extend engine life, boost efficiency, and secure operational availability. With proven engineering expertise, we help you meet today's demands – and stay ready for tomorrow.

## Tailored services for reliable operations

Our services go beyond standard maintenance. With customized service agreements, expert training through the PrimeServ Academy, and access to cutting-edge digital tools, we support you at every stage of your engine's lifecycle. Whether you need rapid troubleshooting, performance upgrades, or long-term operational security, our team delivers reliable, proactive support – wherever you operate.



For more information please visit  
[www.everllence.com/services](http://www.everllence.com/services)



**Everllence France SAS**

8 avenue Antoine Bourdelle

BP 427

44615 Saint-Nazaire Cedex - France

Phone + 33 2 40 90 65 00

[primeserv-fr@everllence.com](mailto:primeserv-fr@everllence.com)

[www.everllence.com](http://www.everllence.com)

All data provided in this document is non-binding. This data serves informational purposes only and is not guaranteed in any way. Depending on the subsequent specific individual projects, the relevant data may be subject to changes and will be assessed and determined individually for each project. This will depend on the particular characteristics of each individual project, especially specific site and operational conditions.

Copyright © Everllence  
EVR 000094EN-250601, GKM-STN  
Printed in France